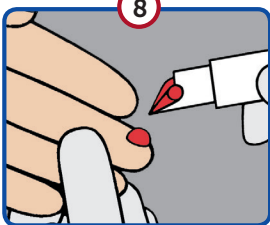
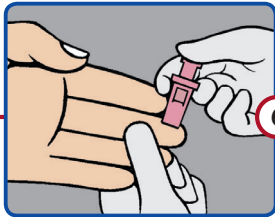
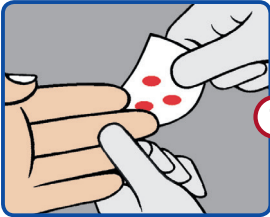
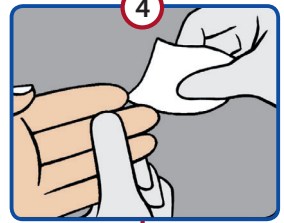
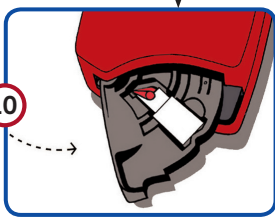
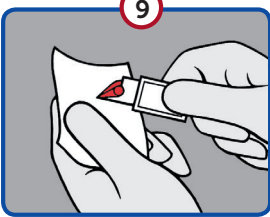
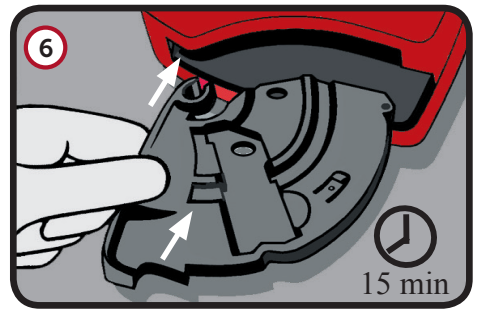
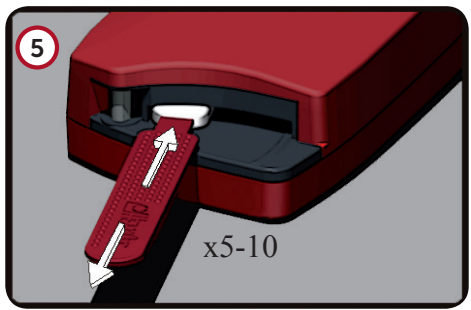
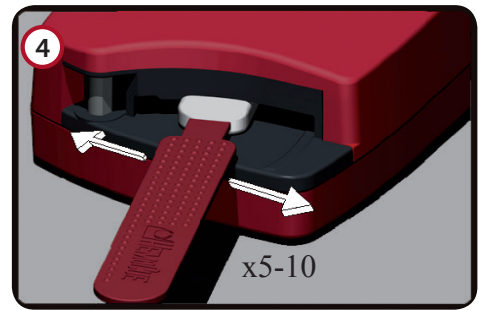
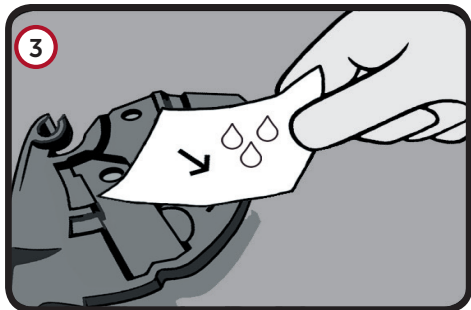
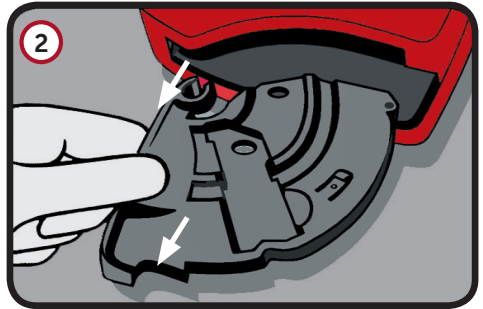


HemoCue[®] Glucose 201⁺ Glucose 201



⌚ ≤40s





Manufacturer

HemoCue AB
Box 1204
SE-262 23 Ängelholm
Sweden
Phone +46 77 570 02 10
Fax +46 77 570 02 12
E-mail info@hemocue.se
www.hemocue.com

HemoCue Distributor USA

HemoCue America
250 South Kraemer
Boulevard
Brea, CA, 92821, USA
Phone 800-881-1611
Orders 800-323-1674
Technical Support 800-426-7256
Fax (Cust. Srv.) 800-333-7043
www.hemocue.com

